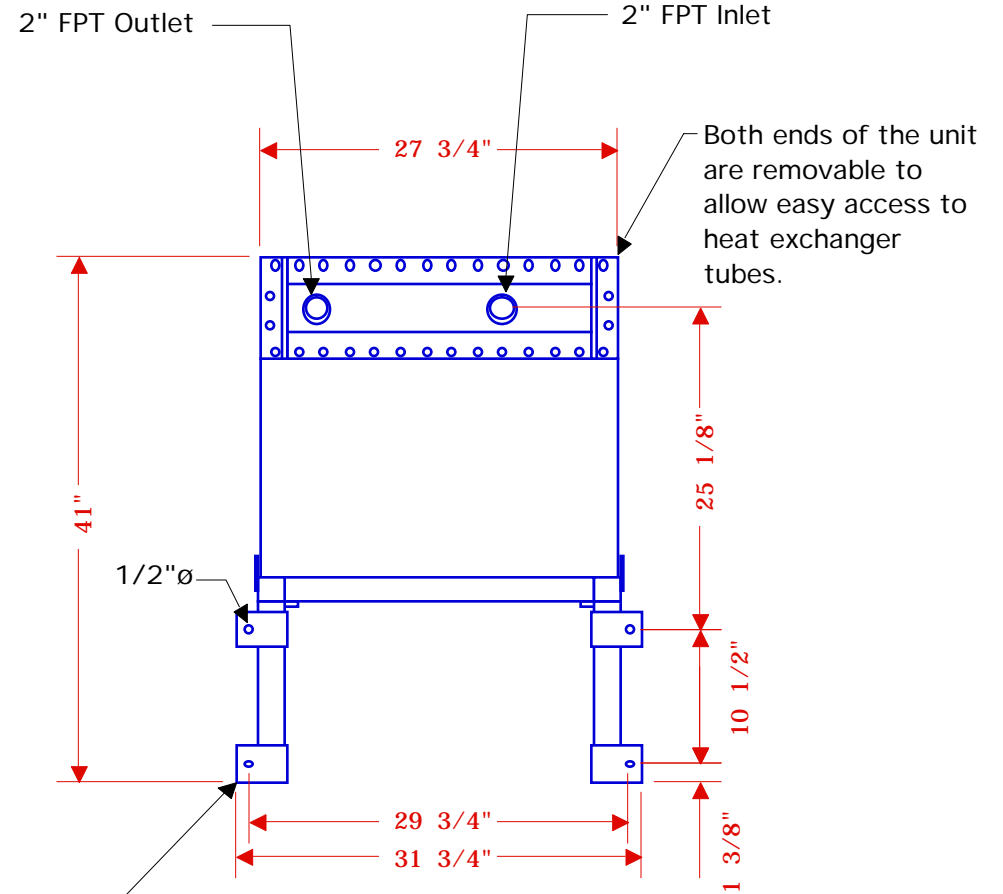
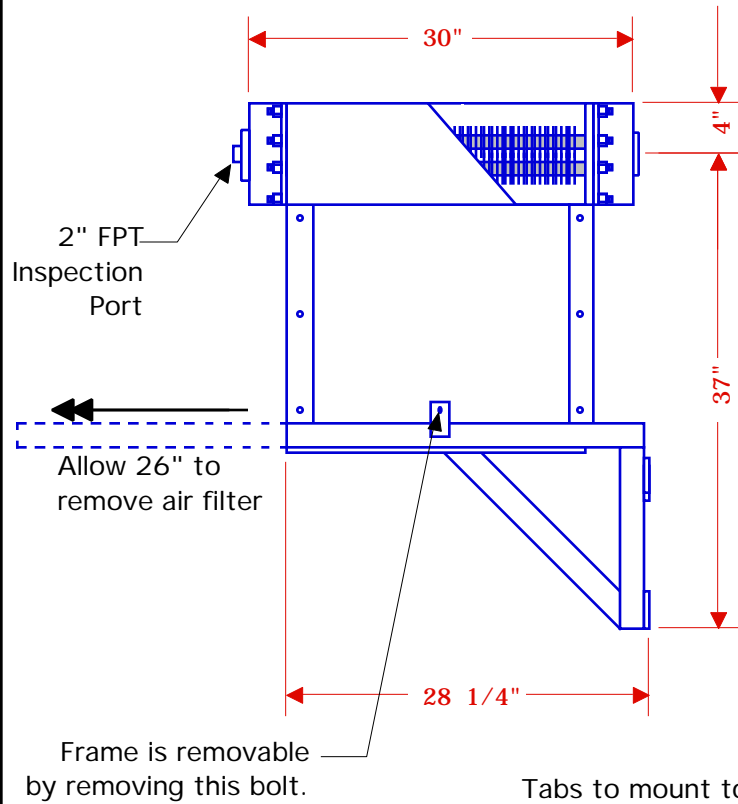
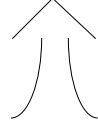


**FULL LOAD AMPS**

1 HP, 1750 RPM

1.8 @ 480V

Air Flow



Tabs to mount to Generator side

Weight: 369 lbs

NOTE: ALL DIMENSIONS ARE APPROXIMATE AND ARE SUBJECT TO CHANGE WITHOUT NOTICE.



**SBS CORPORATION**

81 MILL STREET • ROCHESTER, MI 48307 • USA

U.S. & Canada 1-800-662-8776 • Fax 1-248-652-4303 • www.sbscorporation.com

CUSTOMER:

DRAWN BY: GSB

DATE: 10/20/00

SCALE: 1 : 15

**END-O-THERM MODEL 2022-EQ**

# END-O-THERM: A PRACTICAL SOLUTION FOR A TROUBLESOME COOLING PROBLEM.

SBS Corporation's development of an air-cooled endothermic generator cooler continues a tradition of finding simple, practical solutions to troublesome process problems. End-O-Therm gas coolers eliminate (the need for) water and the subsequent pipes, valves and

pumps by employing a quiet electric motor-driven propeller fan to blow air over finned tubes. The generated atmosphere, turbulating through the inside of the finned tubes, easily gives off its heat and is cooled quickly to assure clean, cool operation. End-O-Therm is a

strong, durable gas cooler designed specifically for continuous cooling of hot atmospheres. Compare End-O-Therm's many unique design features to your existing gas cooler and we are sure you'll agree that End-O-Therms have the features you want in your next gas cooler.

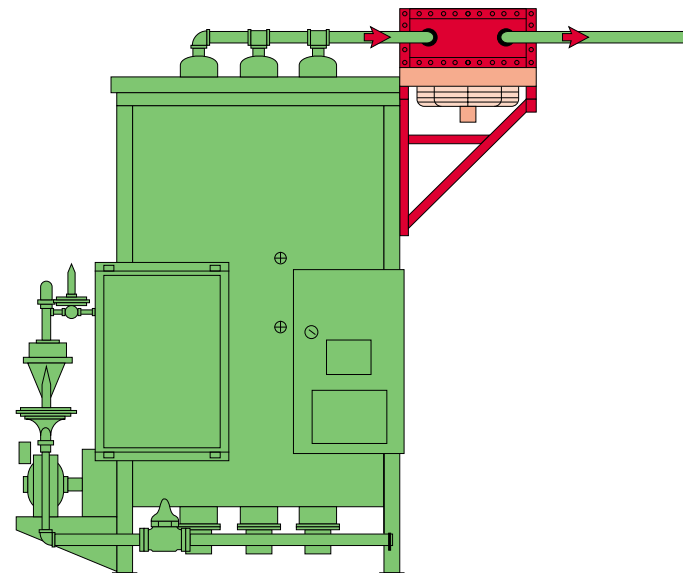
## Eliminates Water.



Water is an excellent heat transfer medium when cooling liquids to temperatures unattainable by air-cooled systems. Hot gas systems are, however, by nature of extreme temperatures, not a good application for water-cooled

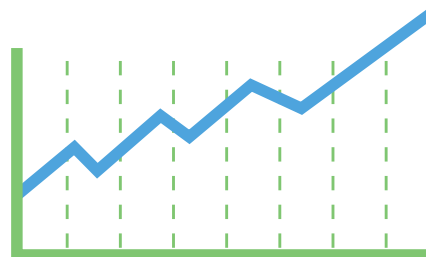
systems. Thermal shock, liming and plating out in the heat exchangers, combined with the dangers of the cooling water flashing to steam, and the spiraling costs of water make an air-cooled system the logical choice.

## Simplifies Piping.



End-O-Therm uses air instead of water as a cooling medium. The only piping required is a short run from the generator to the cooler and on to the furnace. All the water pipe and valves and subsequent water-cooling systems are eliminated. Gas piping is simplified by mounting the End-O-Therm directly on the side of the generator with the cooler inlet at the same level as the retort outlet.

## Saves Money.



Water and sewage costs have been on an upward spiral through the last two decades, with no relief in sight. Virtually all areas of the U.S. can expect even larger increases in the future with sewer

charges outracing water costs. By eliminating the use of water, an End-O-Therm atmosphere generator cooler can pay for itself in a matter of months.

## Design Features.

2" Sight-port for quick tube inspection.

Removable manifolds provide access to large, 1" steel, straight-through tubes (no U-bends).

3/4" port for over-temperature switch

Bright galvanized plenum chamber for corrosion resistant low maintenance finish.

Propeller and electric motor are internally mounted and protected by an economical air filter.

Optional NEMA 3R disconnect switch provides a positive lock-out for safe motor and propeller maintenance.

Detachable tubular mounting frame eases installation by allowing the heat exchanger to be mounted after the frame is in place.



## Cool it fast. . . Keep it clean.

Even a well tuned generator will produce soot if the atmosphere cooler is not functioning efficiently. Generated atmospheres must be cooled quickly to keep carbon in solution. A fouled or inefficient heat exchanger will cool the atmosphere too slowly through this critical range causing soot

to form which will flow through and contaminate a furnace all the way down to the quench tank. Exceedingly dirty quench oil may be caused by inefficient gas cooling. Cool it fast...keep it clean!



## SBS CORPORATION

### Terms And Conditions

This Quotation is subject to the following standard terms and conditions:

1. This is a Quotation, not a firm offer, and any purchase order issued pursuant to this Quotation shall not result in a contract until it is accepted and acknowledged in writing by SBS Corporation (SBS) at its office in Rochester, Michigan.
2. UNIT PRICES are subject to adjustment if the quantity actually purchased is less than the quantity described herein.
3. PURCHASER SHALL assume all responsibility for taxes levied by the state in which they operate.
4. TERMS OF PAYMENT are as stated on the first page of the attached Quotation. Violation of those terms can result in revocation of stated warranties.
5. DELIVERY TERMS are F.O.B. SBS' shipping point. Dates of delivery are determined from the date of SBS' acceptance of any order or orders issued by Buyer and are estimates of approximate delivery dates and are not a guarantee of a particular day of delivery. SBS is not liable for any failure or delay in shipment due to any cause beyond its control including, but not limited to, acts of God, war, labor difficulties, accidents, shortages or lack of materials, or failure by SBS' suppliers or subcontractors.
6. SBS WARRANTS that all products furnished hereunder will be free from defects in materials and workmanship for one year from the date of shipment and **WHEN OPERATED AND MAINTAINED UNDER DESIGN CONDITIONS AND IN ACCORDANCE WITH SBS' INSTRUCTIONS, WILL PERFORM IN ACCORDANCE WITH APPLICABLE ATTACHED SPECIFICATIONS FOR ONE YEAR FROM DATE OF SHIPMENT.** If within such one year period any product or portion thereof proves, after receipt of prompt notice and inspection by SBS, to be defective as to materials or workmanship, SBS will, at its option, either repair or replace any such product or portion thereof at the job site. This warranty is in lieu of all other warranties and **SBS DISCLAIMS ANY IMPLIED WARRANTY OF MERCHANTABILITY OR OF FITNESS FOR A PARTICULAR PURPOSE.** SBS makes no warranty with respect to components or accessories manufactured by any other party except as expressly warranted by such other party; or for deterioration or failure due to effects of erosion or corrosion. SBS is not liable for any consequential or incidental damages, and in no event shall be liable for any amount in excess of the purchase price of the products described herein.
7. SBS IS NOT RESPONSIBLE FOR compliance with any codes other than as specifically referred to herein. Buyer shall pay any additional costs resulting from the need to comply with any other code.
8. CANCELLATION of any contract resulting from this Quotation or delay by Buyer in acceptance of any shipment may be made only by written agreement executed by both parties.
9. THERE ARE NO provisions with respect to this Quotation not specified herein, this Quotation together with the Buyer's and SBS' acceptance or acknowledgment thereof will constitute the entire contract between the parties with respect to the furnishing of such products.
10. ANY contract resulting from this Quotation shall be governed by and construed in accordance with the laws of the State of Michigan.