
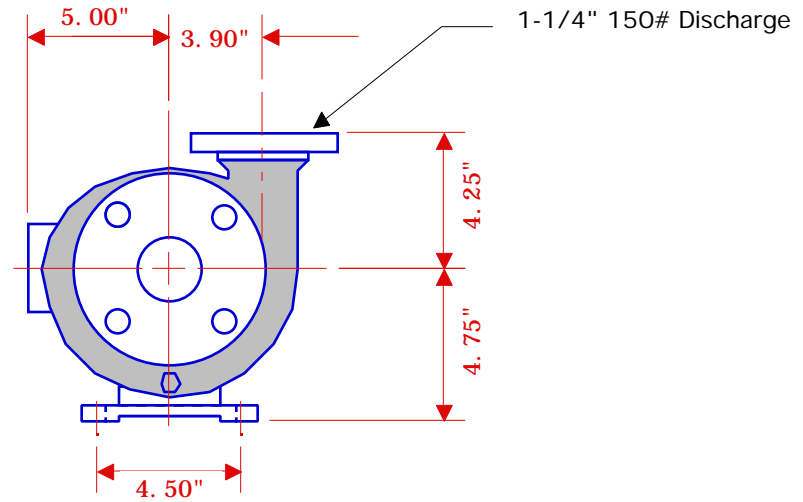
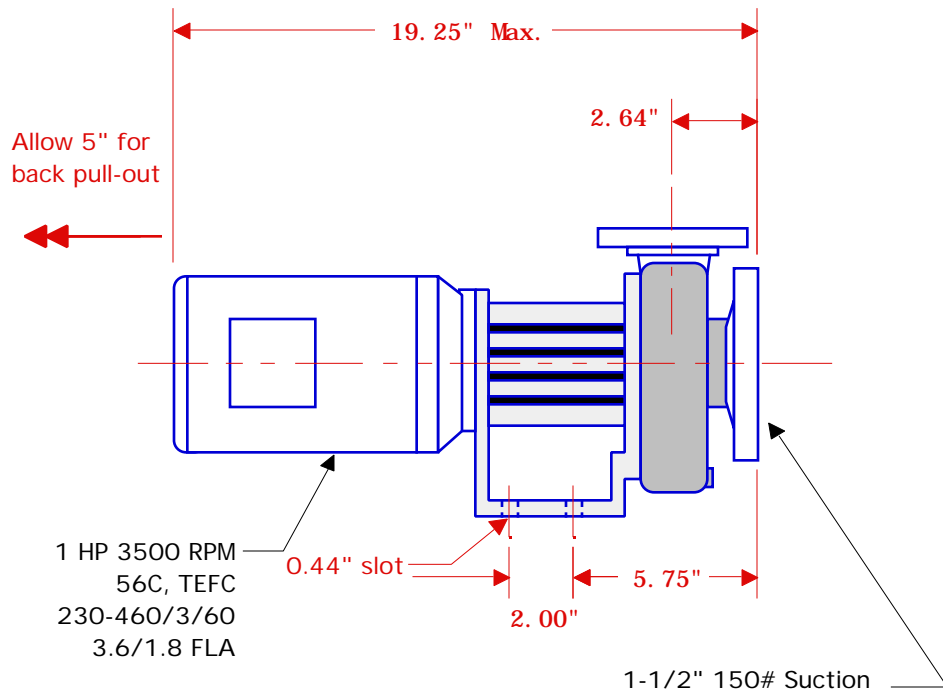


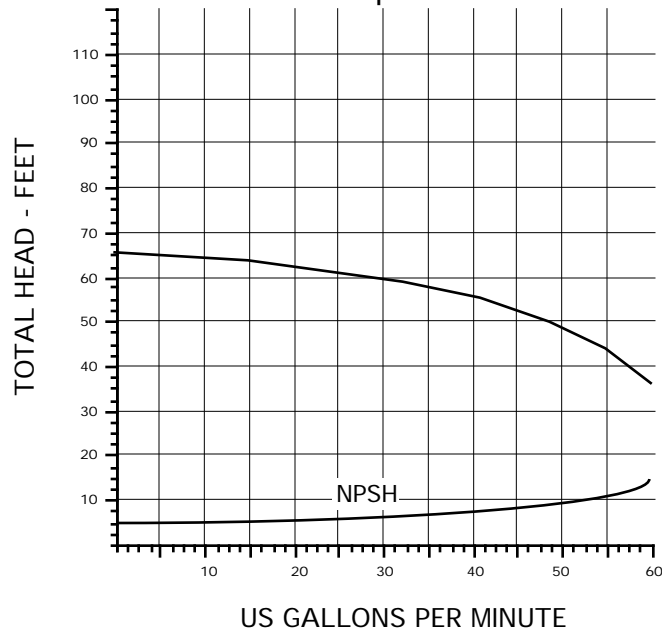
All dimensions are approximate and are subject to change without notice.

Weight: 275 lbs
Max. Temp: 450°F

 SBS CORPORATION 81 MILL STREET • ROCHESTER, MI 48307 • USA		
U.S. & Canada 1-800-662-8776 • Fax 1-248-652-4303 • www.sbscorporation.com		
CUSTOMER:		
DRAWN BY: GSB	DATE: 5/19/05	SCALE: 1 : 10
Trash Can Liquid Filtration System Part No. TCLFS-SF480		



Pump Curve



Model: HTO-80F-1
 Size: 1-1/2" x 1-1/4"
 Impeller: 4.25" Ø
 Speed: 3500 RPM
 S.G. : 0.85

- Oil temperatures to 650°F
- Rated for 30 GPM @ 60' TDH
- Mechanical seal with Carbon/Ni-resist/Viton
- Carbon/graphite isolator bushing separates oil from seal
- Ductile iron construction
- Enclosed impeller
- Integral, air-cooled seal chamber
- Motor available to many different specifications



SBS CORPORATION

81 MILL STREET • ROCHESTER, MI 48307 • USA

U.S. & Canada 1-800-662-8776 • Fax 1-248-652-4303 • www.sbcorporation.com

CUSTOMER:

DRAWN BY: GSB

DATE: 10/29/04

SCALE: 1 : 6

HTO-80F-1 Hot Oil Pump



SBS CORPORATION

Terms And Conditions

This Quotation is subject to the following standard terms and conditions:

1. This is a Quotation, not a firm offer, and any purchase order issued pursuant to this Quotation shall not result in a contract until it is accepted and acknowledged in writing by SBS Corporation (SBS) at its office in Rochester, Michigan.
2. UNIT PRICES are subject to adjustment if the quantity actually purchased is less than the quantity described herein.
3. PURCHASER SHALL assume all responsibility for taxes levied by the state in which they operate.
4. TERMS OF PAYMENT are as stated on the first page of the attached Quotation. Violation of those terms can result in revocation of stated warranties.
5. DELIVERY TERMS are F.O.B. SBS' shipping point. Dates of delivery are determined from the date of SBS' acceptance of any order or orders issued by Buyer and are estimates of approximate delivery dates and are not a guarantee of a particular day of delivery. SBS is not liable for any failure or delay in shipment due to any cause beyond its control including, but not limited to, acts of God, war, labor difficulties, accidents, shortages or lack of materials, or failure by SBS' suppliers or subcontractors.
6. SBS WARRANTS that all products furnished hereunder will be free from defects in materials and workmanship for one year from the date of shipment and **WHEN OPERATED AND MAINTAINED UNDER DESIGN CONDITIONS AND IN ACCORDANCE WITH SBS' INSTRUCTIONS, WILL PERFORM IN ACCORDANCE WITH APPLICABLE ATTACHED SPECIFICATIONS FOR ONE YEAR FROM DATE OF SHIPMENT.** If within such one year period any product or portion thereof proves, after receipt of prompt notice and inspection by SBS, to be defective as to materials or workmanship, SBS will, at its option, either repair or replace any such product or portion thereof at the job site. This warranty is in lieu of all other warranties and **SBS DISCLAIMS ANY IMPLIED WARRANTY OF MERCHANTABILITY OR OF FITNESS FOR A PARTICULAR PURPOSE.** SBS makes no warranty with respect to components or accessories manufactured by any other party except as expressly warranted by such other party; or for deterioration or failure due to effects of erosion or corrosion. SBS is not liable for any consequential or incidental damages, and in no event shall be liable for any amount in excess of the purchase price of the products described herein.
7. SBS IS NOT RESPONSIBLE FOR compliance with any codes other than as specifically referred to herein. Buyer shall pay any additional costs resulting from the need to comply with any other code.
8. CANCELLATION of any contract resulting from this Quotation or delay by Buyer in acceptance of any shipment may be made only by written agreement executed by both parties.
9. THERE ARE NO provisions with respect to this Quotation not specified herein, this Quotation together with the Buyer's and SBS' acceptance or acknowledgment thereof will constitute the entire contract between the parties with respect to the furnishing of such products.
10. ANY contract resulting from this Quotation shall be governed by and construed in accordance with the laws of the State of Michigan.